



ALCOVE PLUS

60" x 42" Skirted
Acrylic Air Bath

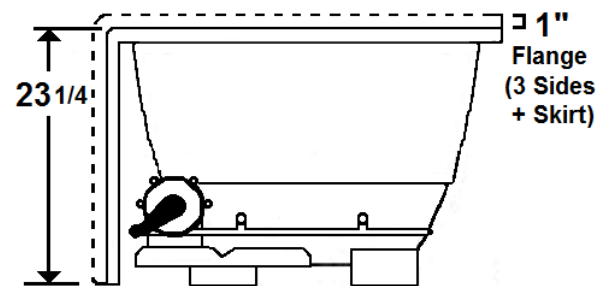
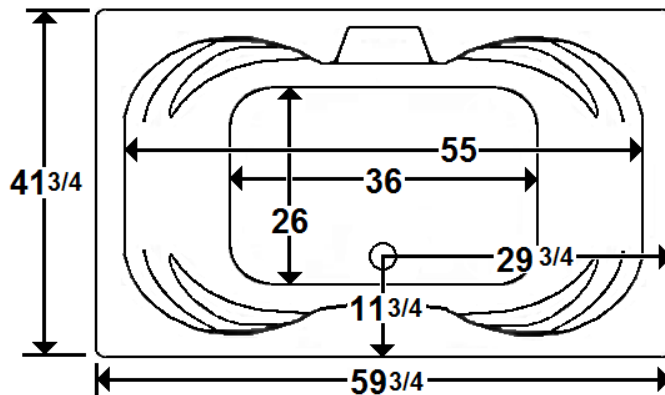
Model Number
4260APA064
Center Drain Air Bath in White

Features

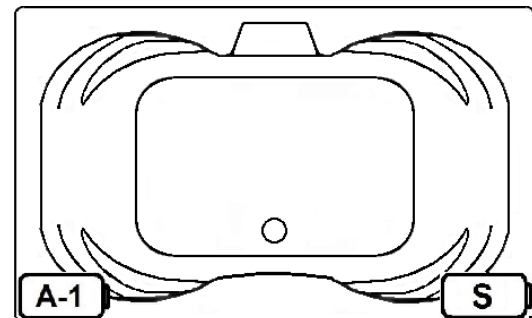
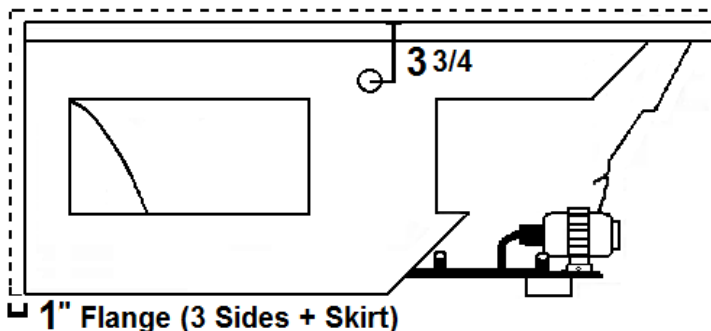
- 24 high output lateral air jets
- Color-matched jet trim
- 12.0 Amp variable speed blower
- Pillows included
- Constructed of high-gloss durable acrylic
- Automatic purge cycle with timer
- Heaters available – LM305
- Mood light available – LM522
- Pre-leveled base for easy installation
- Made in the USA



All dimensions are +/- 1/2" and subject to change without notice
Confirm specifications before installation



Standard (S) Blower Location and Alternate (A-1) Blower location.



Technical Information

- Weight: 180 lbs.
- Water Depth to Overflow: 16 1/2"
- Water Operating Level: NA
- Water Capacity: 98 gal.
- Sump Dimension: 36" x 26"

Electrical Requirements.

- Standard Blower: 12.0 Amps
- (Optional) LM305 Heater: 12.5 Amps (120V)
- Dedicated GFCI's required for each options

ALCOVE PLUS

4260APA064
Center Drain Air Bath in White

Air Bath

Thousands of warm air bubbles provide an invigorating and yet relaxing, light, full body massage. The warm air movement increases blood circulation, soothes muscles and produces a feeling of well-being.

Laurel Mountain enables you to enhance your bathing experience by offering a broad range of options to customize your bath. The options available on this bath are shown below.

AVAILABLE OPTIONS & UPGRADES

For Pricing, visit the “Help” page at www.laurelmountainwhirlpools.com. Download the Price book. For pictures and descriptions of options, go to www.laurelmountainwhirlpools.com and click “options” tab found at the bottom of the website.

Therapeutic

LM305 12.5 Amp Water Heater (120V)

LM522 Chromatherapy Mood Light

Accessories

8” GRAB BARS

LM230 White
LM231 Biscuit

CABLE OPERATED DRAINS

LM200 Chrome	LM210 White
LM201 Brushed Nickel	LM211 Biscuit
LM202 Bronze	

Design / Construction

LM545 A-1 Pump Loc

INSTALLATION

Install this unit according to the Owner’s Manual. The Owner’s manual can be found by visiting the “Help” page at www.laurelmountainwhirlpools.com. Select “Installation” on the right side of the page. Then click on the “Colony Owner’s Manual”.